

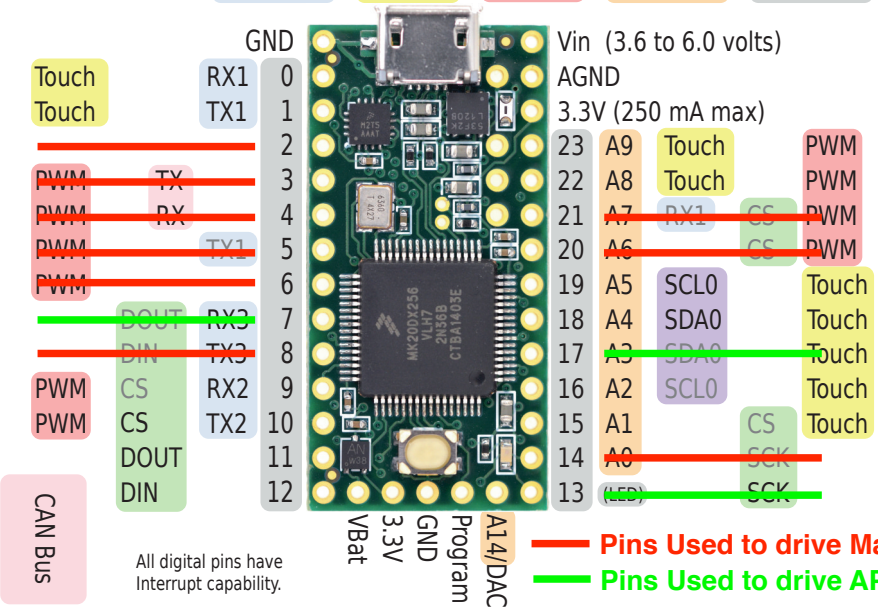
Welcome to Teensy 3.2

32 Bit Arduino-Compatible Microcontroller

To begin using Teensy, please visit the website & click Getting Started.

www.pjrc.com/teensy

- Digital Pins
 - digitalRead
 - digitalWrite
 - pinMode
- Analog Pins
 - analogRead
 - analogReference
 - analogReadRes
- PWM Pins
 - analogWrite
 - analogWriteRes
- Touch Sense
 - touchRead
- Serial Ports
 - Serial1
 - Serial2
 - Serial3
- I2C Port
 - Wire Library
- SPI Port
 - SPI Library



All digital pins have Interrupt capability.

CAN Bus